

Series ZTEPT-10 Electronic Voltage Transformers

The ZTEPT-10 electronic voltage transformer is a new 10kV electronic voltage transformer for charging. The transformer is mainly used for charging intelligent terminals and is widely used in various power distribution systems

- Directly output small voltage signal, simplifies the system structure, reduces error sources, and improves the stability of the entire system.
- Don't contain iron core, will not saturate, wide frequency range, large measurement range, good linearity, anti-interference Strong ability.
- When the voltage output terminal is short-circuited for the second time, there will be no overcurrent or ferromagnetic resonance, which eliminates the major fault hazards in the power system and ensures the safety of personnel and equipment.

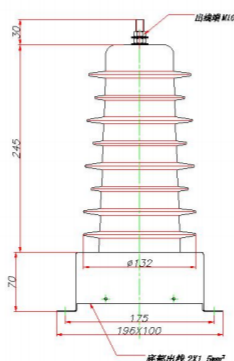
Product Detail:

1. Electrical ratings



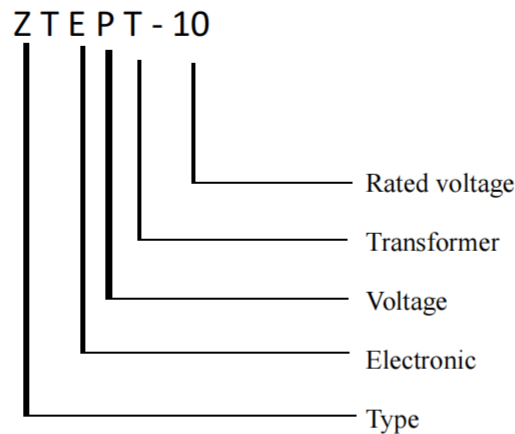
Description		
Rated maximum voltage [kV]		25.8
Rated current [A]		630
Operation		manual, automatic
Frequency [Hz]		50 / 60
Short time withstand current, 1sec [kA]		12.5
Short circuit making current [kA peak]		32.5
Basic impulse withstand voltage [kV crest]		150
Power frequency withstand voltage, dry [kV]		60
Power frequency withstand voltage, wet [kV]		50
Control and operation function		RTU built- in or separate digital control
Control	Operating voltage	110-220Vac / 24Vdc
	Ambient temperature	-25 to 70 °C
	Power frequency withstand voltage [kV]	2
	Basic impulse withstand voltage [kV crest]	6
International standard		IEC 62271-103

2. Dimensions in millimeters



PS. The housing must be reliably grounded during testing and use.

3. Model meaning



4. Operating Conditions

- Ambient temperature: $-40\text{ }^{\circ}\text{C}\sim+70\text{ }^{\circ}\text{C}$
- Average daily temperature difference: $\leq 40\text{ }^{\circ}\text{C}$
- Altitude: $\leq 3000\text{m}$
- Wind pressure, wind speed: $\leq 700\text{Pa}$, 34m/S

5. Installation & uses & storage

Before installation and commissioning, this manual should be carefully read to understand the structure, characteristics and performance of this product before proceeding, and the corresponding protection and preventive measures must be considered in the work

- The transformer is not allowed to turn or be turned upside down during transportation and loading and unloading, and shockproof measures are required.
- After unpacking, please check whether the surface of the transformer is damaged, and whether the product nameplate and certificate of conformity are consistent with the real thing.
- When the sensor is under pressure, the base should be reliably grounded, and the output lead can be suspended, and short circuit is strictly prohibited.
- The transformer ground wire should be effectively grounded during installation.
- The sensor should be stored in a dry, ventilated, moisture-proof, shockproof and harmful gas invasion room, and long-term storage should be regularly checked whether the environment meets the requirements

6. Ordering Information

When ordering, please list the product model, main technical parameters (rated voltage, accurate level, rated secondary parameters) and quantity . if there are special requirements, please communicate with the company