

Solid-sealed Pole Current & Voltage Combined Transformers

Solid-sealed pole current and voltage combination transformer is used in 10kV distribution network feeders and column switches, with a voltage level of (10-35) kV and a frequency of 50Hz.

The pole integrates the current transformer, voltage transformer, vacuum interrupter, and capacitive energy extraction device, adopts the APG process. The inner insulation is poured with epoxy resin into a solid sealing pole, and the outer insulation is hung with liquid silicone, highly integrate the first and second time. Meet the functional needs of power system metering, measurement, and protection. Equipped with digital module ADMU, The pole can output a digital signal through the module, Signal transmission to terminal equipment such as FTU is more stable and more accurate. The pole realizes the miniaturization, integration and digitalization of primary equipment. The peripheral structure of the equipment is simplified, the safe operation level of circuit breaker equipment is improved, and the operation and maintenance is more convenient.

Product Detail:

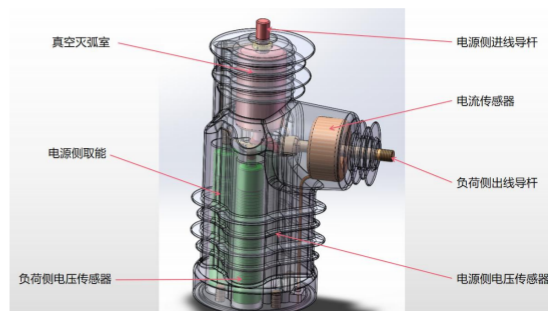
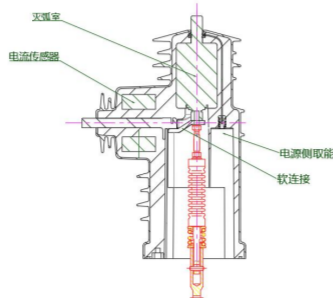
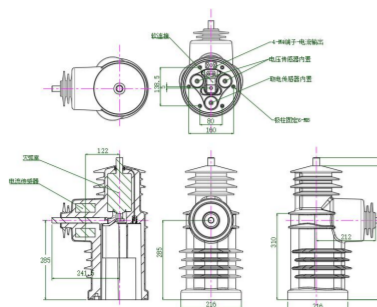
1. Electrical ratings



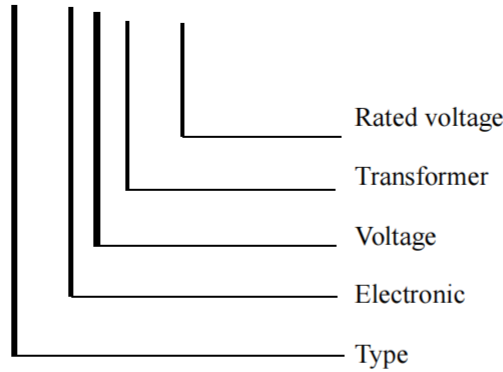
Description

Rated maximum voltage [kV]	25.8
Rated current [A]	630
Operation	manual, automatic
Frequency [Hz]	50 / 60
Short time withstand current, 1sec [kA]	12.5
Short circuit making current [kA peak]	32.5
Basic impulse withstand voltage [kV crest]	150
Power frequency withstand voltage, dry [kV]	60
Power frequency withstand voltage, wet [kV]	50
Control and operation function	RTU built- in or separate digital control
Operating voltage	110-220Vac / 24Vdc
Ambient temperature	-25 to 70 °C
Control	Power frequency withstand voltage [kV]
	2
	Basic impulse withstand voltage [kV crest]
	6
International standard	IEC 62271-103

2. Dimensions in millimeters



3. Model meaning Z T E P T - 10

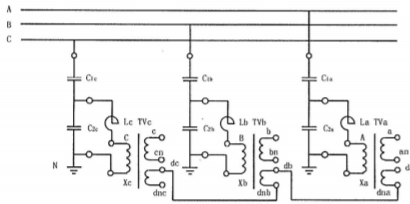


4. Operating Conditions

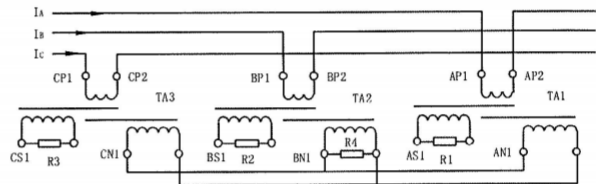
- Altitude: $\leq 1000\text{m}$
- Ambient temperature: $-40\text{ }^{\circ}\text{C} \sim +70\text{ }^{\circ}\text{C}$
- Dirt resistance rating: IV
- Earthquake intensity: ≤ 8 Degree
- Wind speed: $\leq 35\text{m/S}$

5. Schematic

5.1 Voltage section

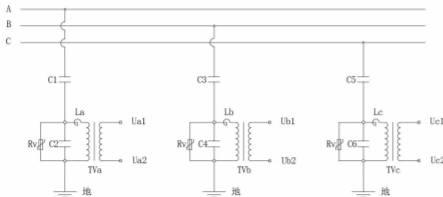


5.2 Current section

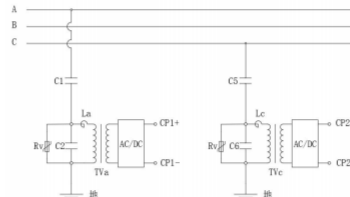


5.3 Capacitor energy extraction

A. AC output schematic



B. DC output schematic (taking A and C phases as an example)



6. Ordering Information

When ordering, please list the product model, main technical parameters (rated voltage, accurate level, rated secondary parameters) and quantity . if there are special requirements, please communicate with the company